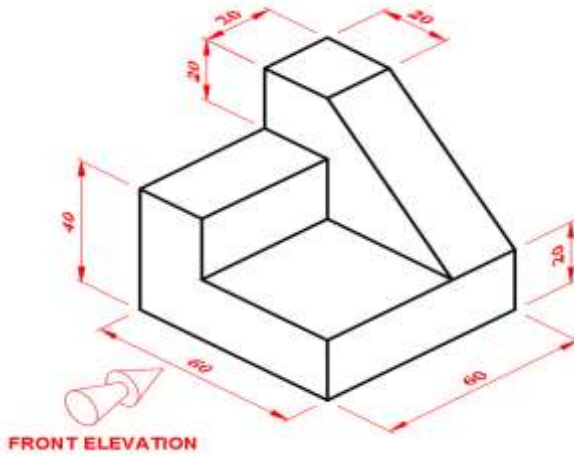


1. Draw free hand sketch of the following (10)
  - a) Neon Tester
2. Redraw the given drawing according to the dimensions. All dimensions are in (10)



3. Draw the Front view, Top view and Side view in Third angle projection. (30)  
Of the given object, all dimensions are in mm.

